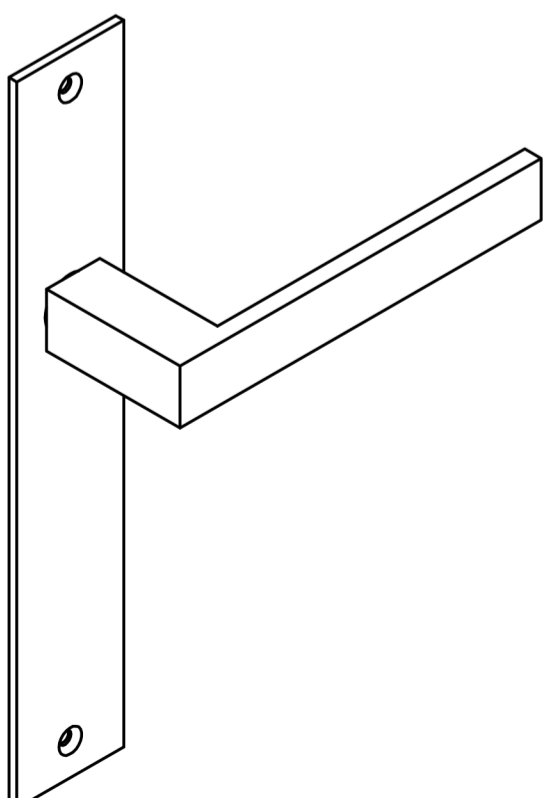
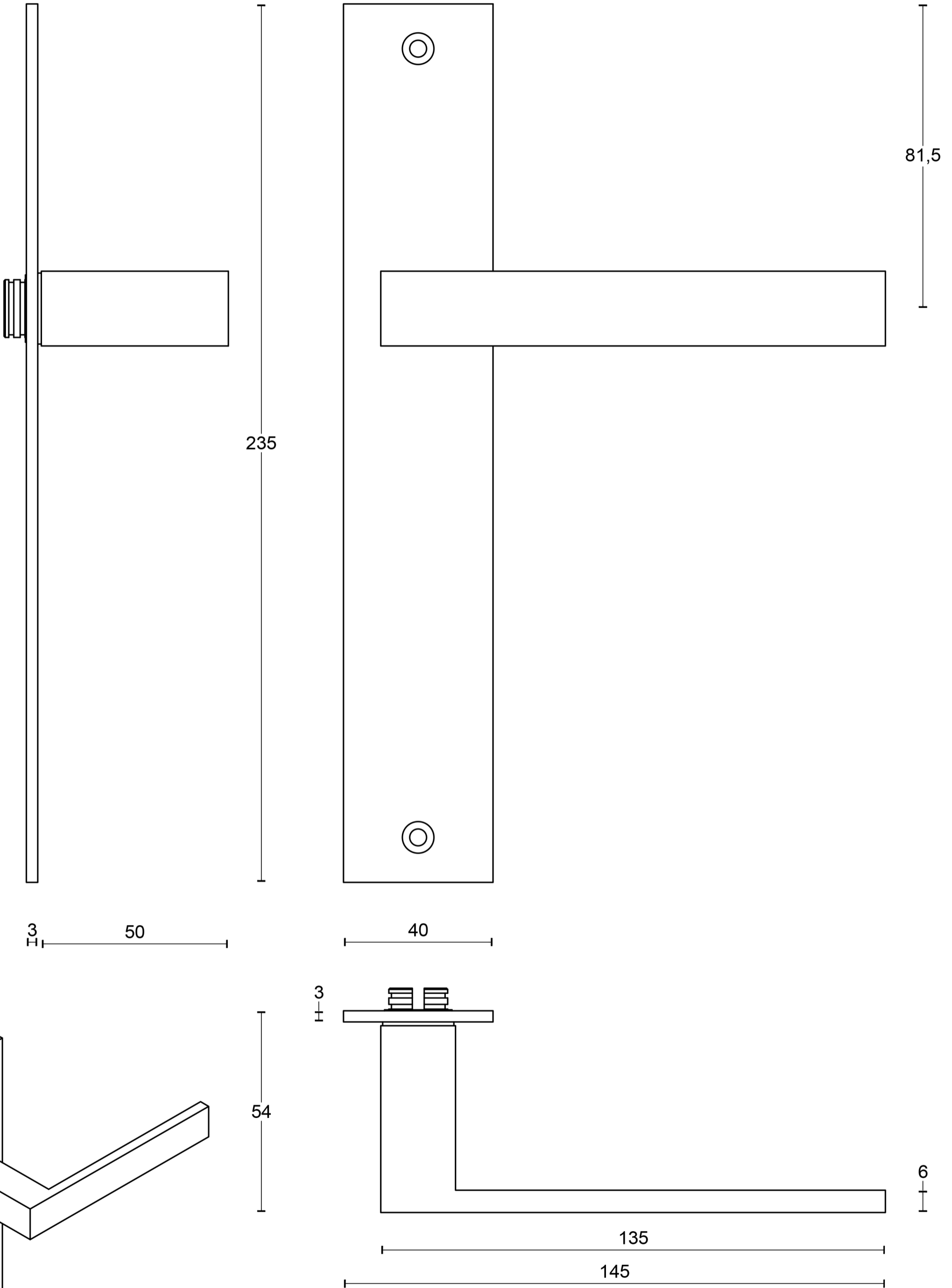


All information on the drawing is the property of Formani Holland B.V. and may not be copied, in any way whatsoever without obtaining the permission in writing from Formani Holland B.V.



| | | | |
|------------------------------------------------------------------------------------------------------------------------------------------------------------------------------------------------|-------------------------------|--------------------------------------------------|------------|
| <h1>FORMANI®</h1> | | Part number: 2501D002 LSQIIP236SFC V01 | |
| | | Description: LSQIIP236SFC | |
| Doc no.: | 2501D002 LSQIIP236SFC V01.dwg | Format: A3 | |
| Drawn by: | Christian | Creation date: | 10-11-2011 |
| Formani Holland B.V. Formani FROM TWO TEASE ARCHITECTURAL HARDWARE www.twotease.com.au info@twotease.com.au | | | |