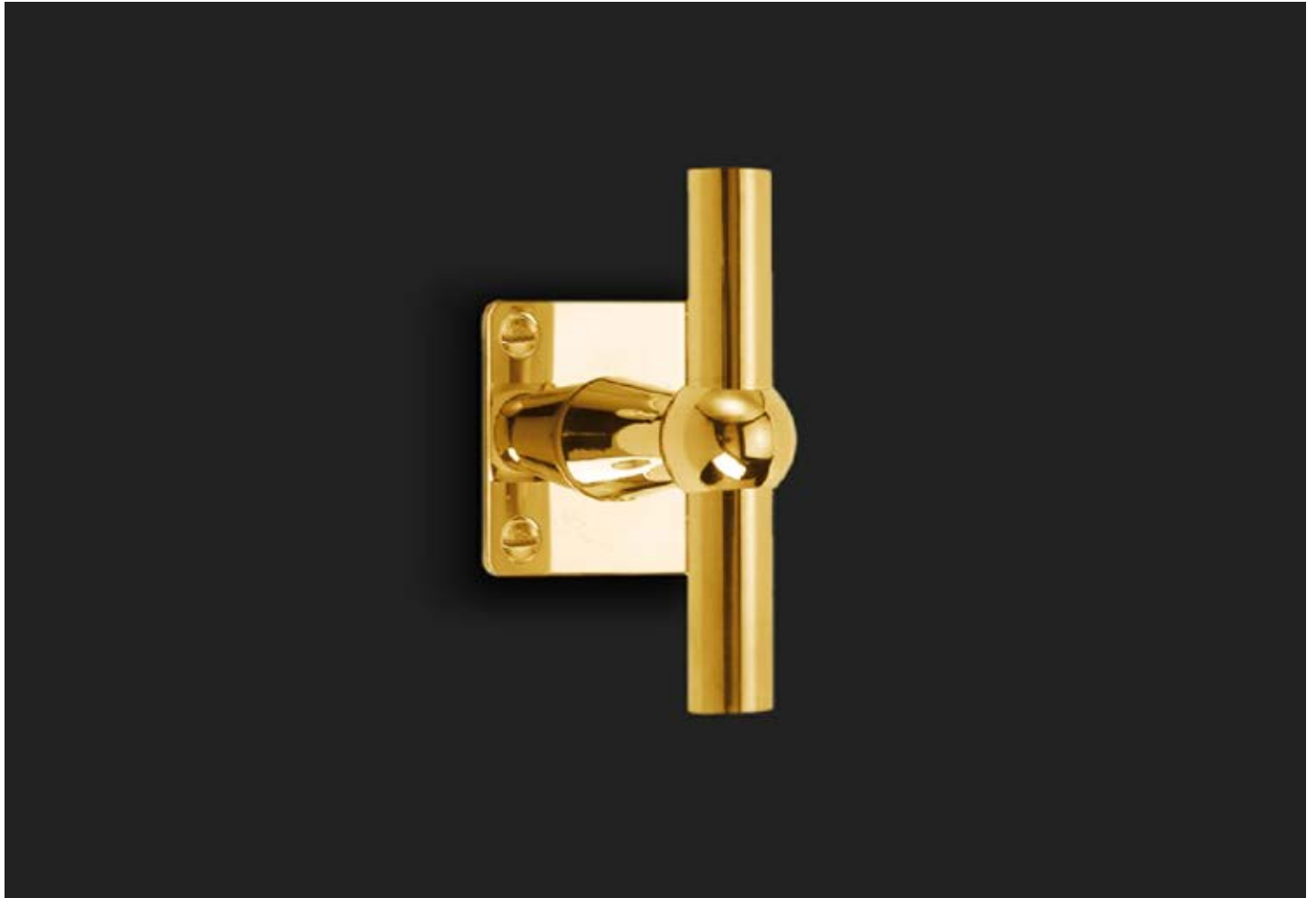


# 1910 ( T ) LEVER

FORMANI | Timeless collection



Shown Above: 1910TMRV45 | Unlacquered Brass (OL)

	Lever Handle	Code
<b>1910TMRV45</b>	Ø 14mm lever, 86mm long unsprung on a square rose	0301D011OLXX0E
	Privacy	
<b>MRV45MWC</b>	Sqaure turn and release privacy set including 5/6/7/8mm pin.	0301T006OLXXU
	Escutcheons	
<b>MSNV45</b>	Sqaure Key Escutcheons	0301N004OLXX0
<b>MSYV45</b>	Sqaure Key Escutcheons	0301Y003OLXX0

>> More finishes available on the next page.

**1910MRV45**

**MRV45MWC**

**(L)MSNV45**

**(R)MSYV45**

**AVAILABLE FINISHES**

**Handles**

**PRIVACY**

**KEY ESCUTCHEON**

**Satin Nickel | NS**



0301D012NSXX0D



0301T006NSXXU



(L) 0301Y003NSXX0  
(R) 0301N004NSXX0

**Bright Nickel | NL**



0301D011NLXX0E

IMAGE  
UNAVAILABLE

0301T006NLXXU

IMAGE  
UNAVAILABLE



(L) 0301Y003NLXX0  
(R) 0301N004NLXX0

**Brass  
Unlacquered | OL**



0301D011OLXX0E

IMAGE  
UNAVAILABLE

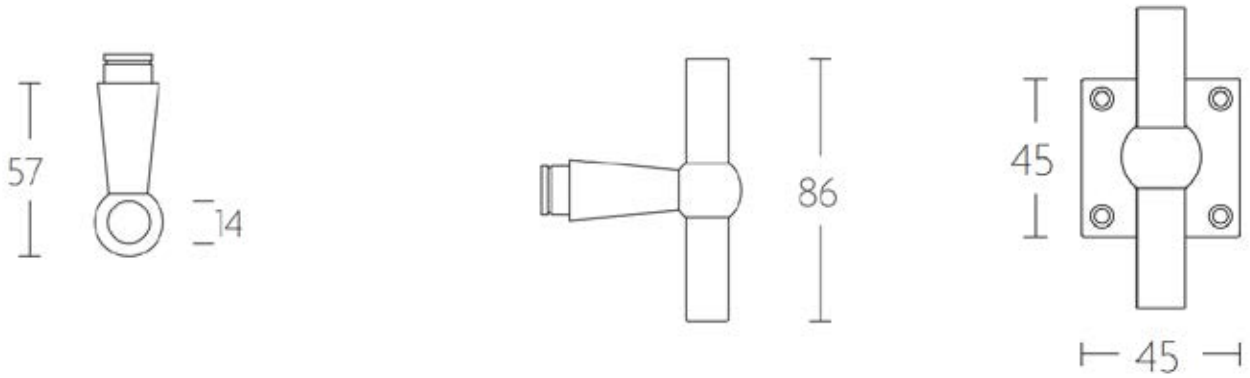
0301T006OSXXU

IMAGE  
UNAVAILABLE

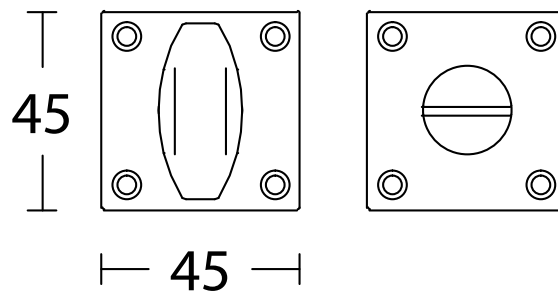


(L) 0301Y003OLXX0  
(R) 0301N004OLXX0

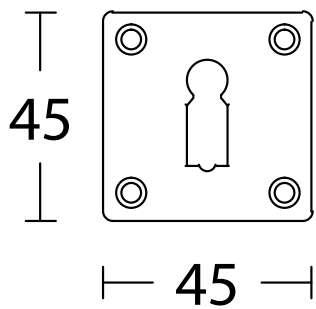
**1910MRV45**



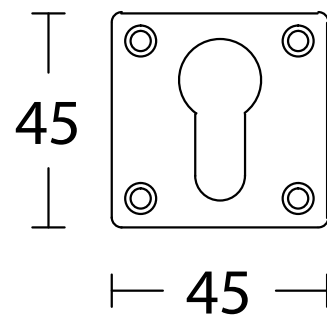
**MRV45MWC**



**MSNV45**



**MSYV45**



Two Tease offers a range of lock options for handles.  
Click on the boxes to see more information.

---

### AGB LOCKS



[Click Here](#)

### TUBULAR LATCH & PRIVACY BOLTS



[Click Here](#)