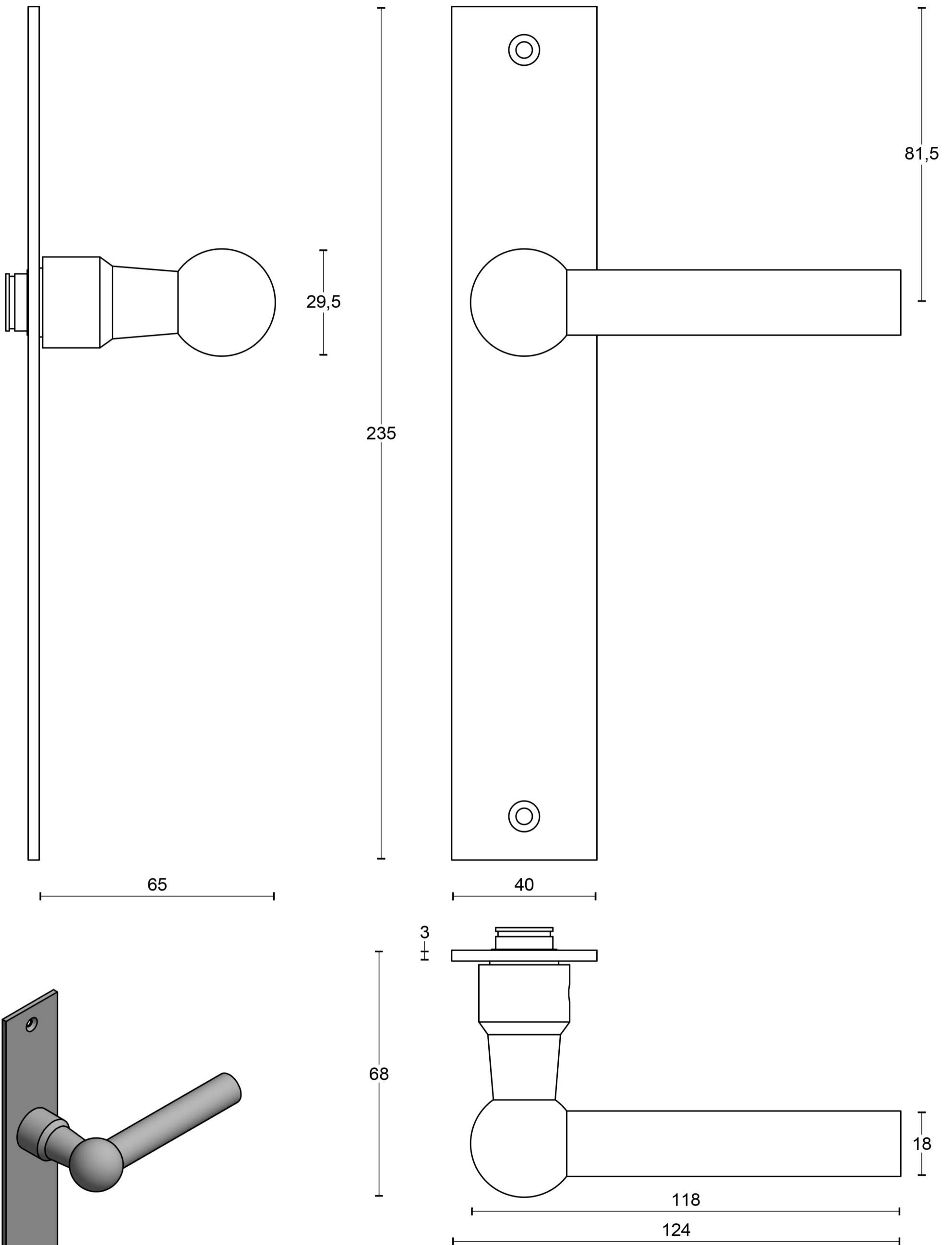


All information on the drawing is the property of Formani Holland B.V. and may not be copied, in any way whatsoever without obtaining the permission in writing from Formani Holland B.V.



<b>FORMANI®</b>		Part number:	
Doc no.: 1501D089 FVL125P236SFC V01.dwg		Description:	
Drawn by: Christian Brimbois	Creation date: 25-8-2017	<b>FVL125P236SFC</b>	
Formani FROM TWO TEASE ARCHITECTURAL HARDWARE		Format: <b>A3</b>	
<small>www.twotease.com.au info@twotease.com.au</small>			