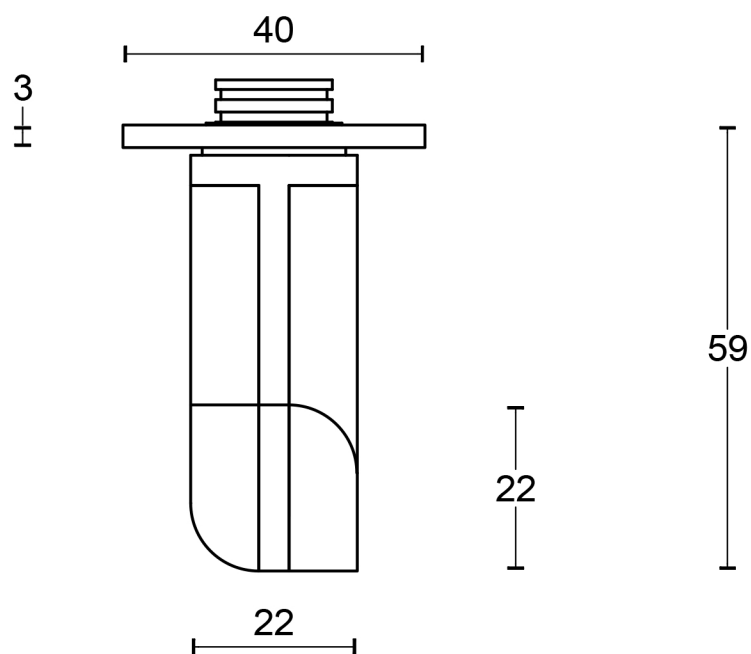
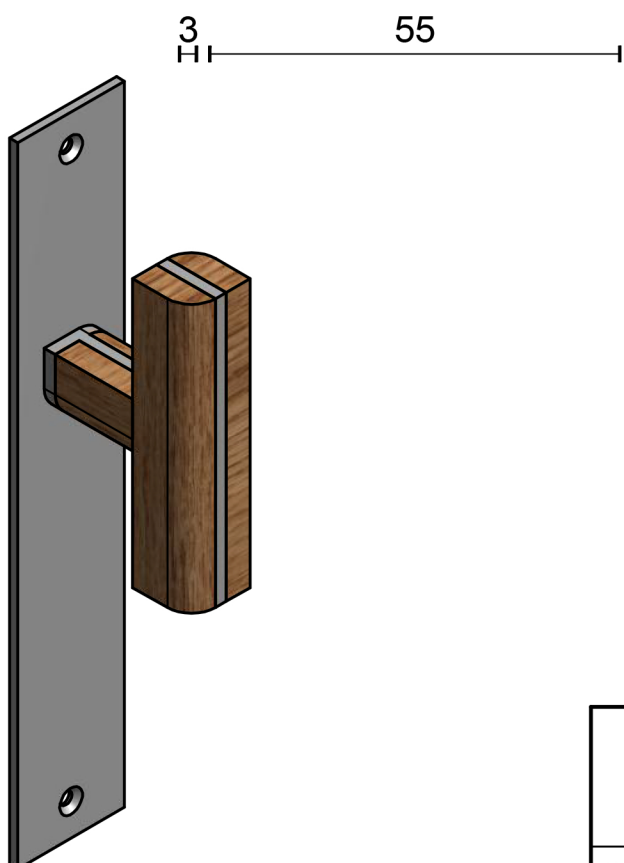
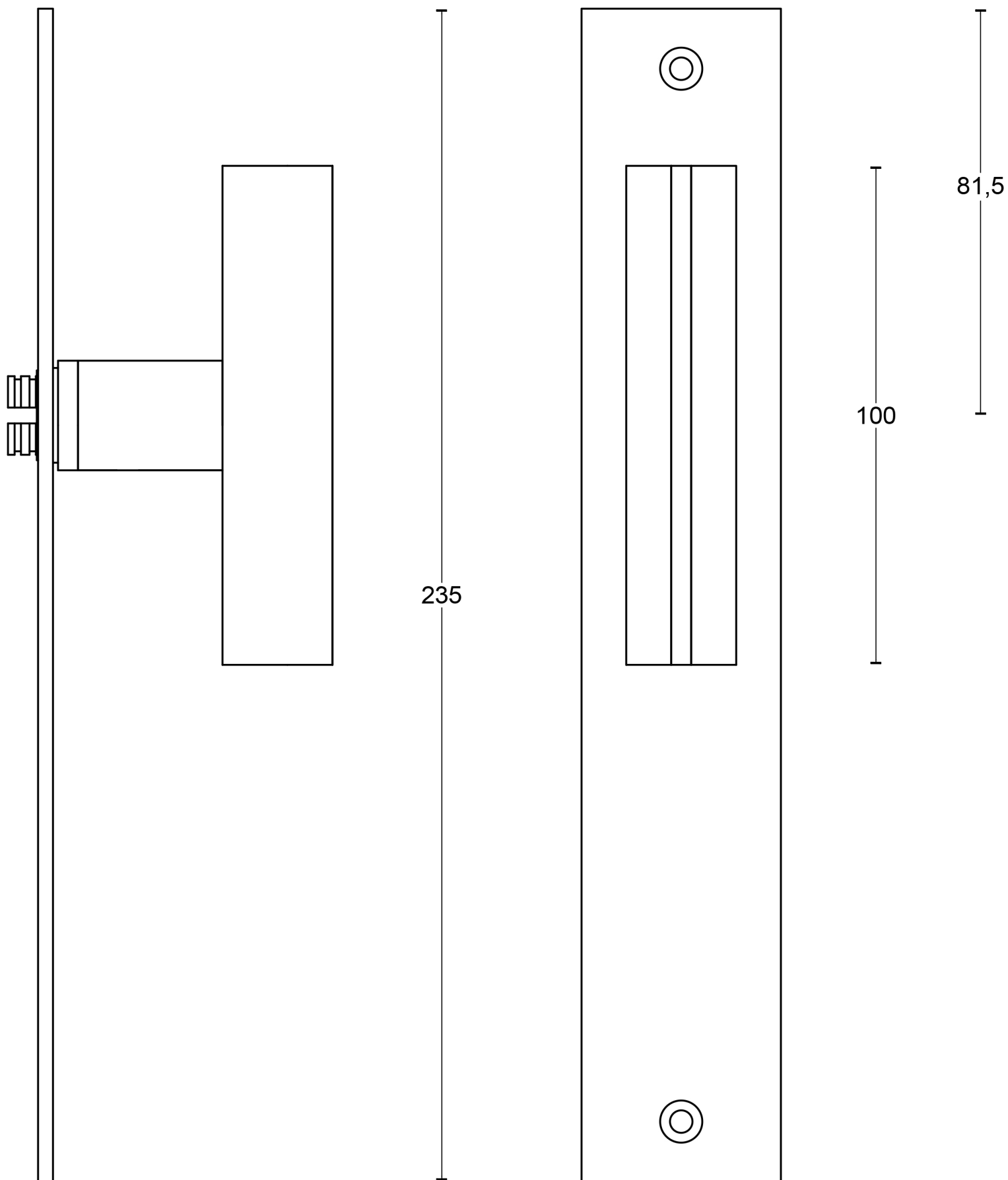
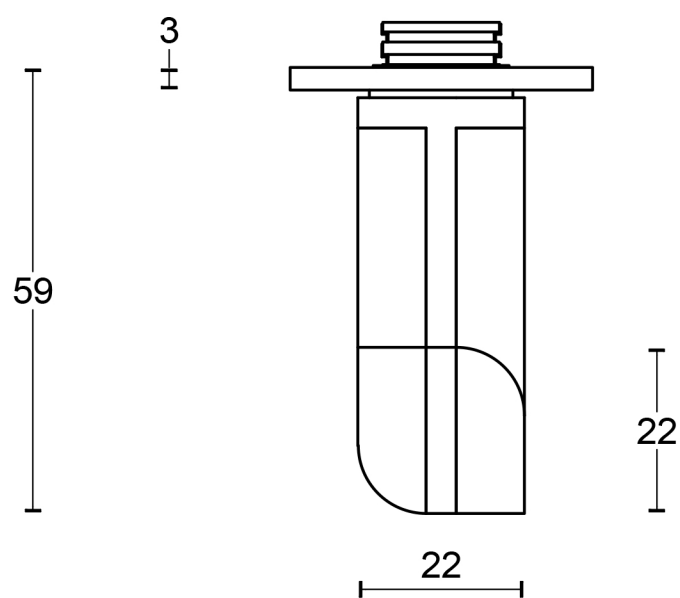
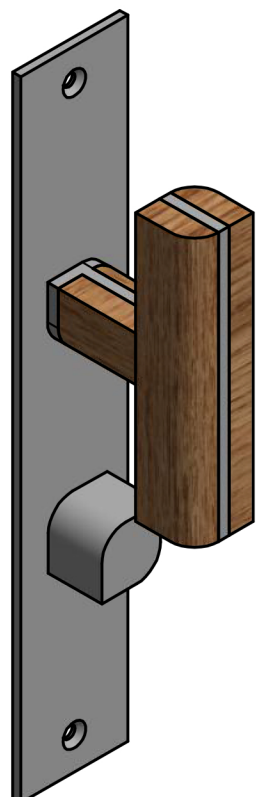
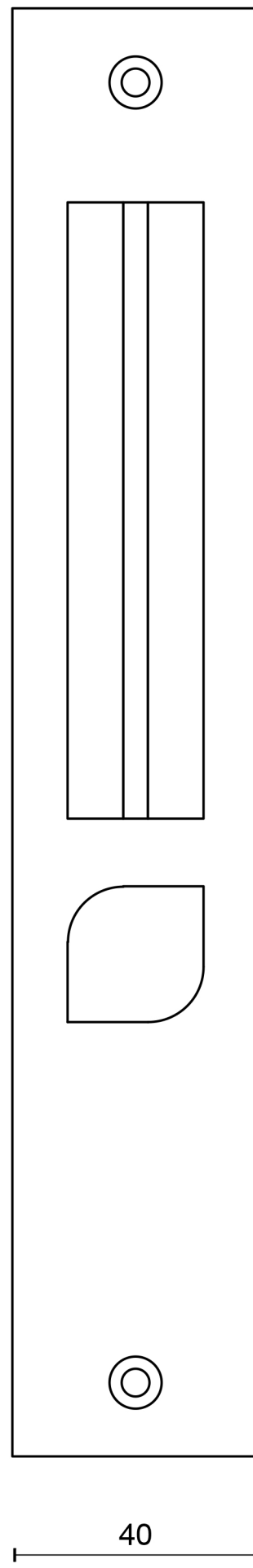
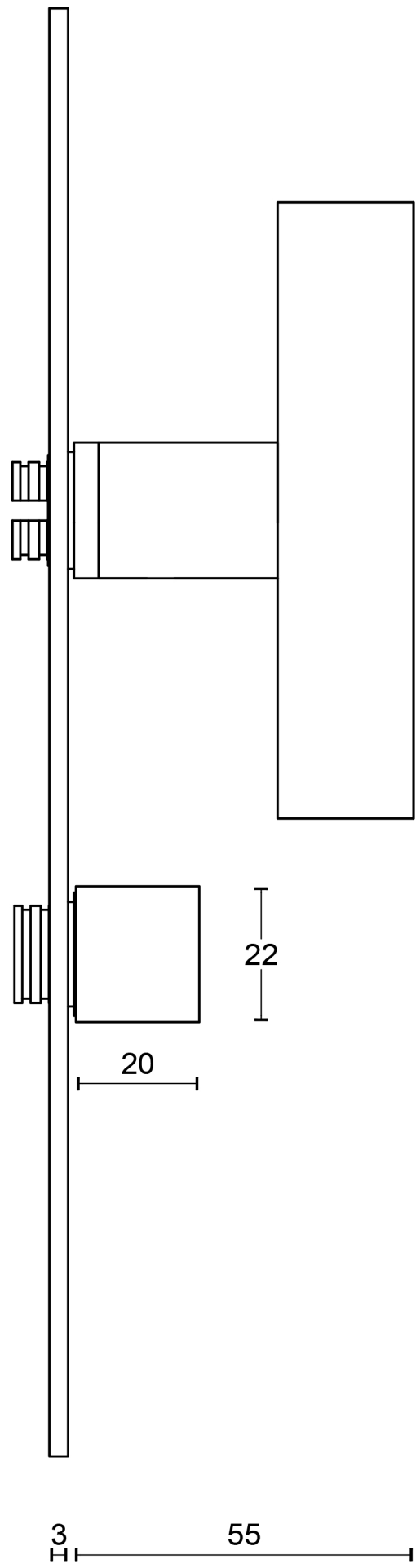


All information on the drawing is the property of Formani Holland B.V. and may not be copied, in any way whatsoever without obtaining the permission in writing from Formani Holland B.V.



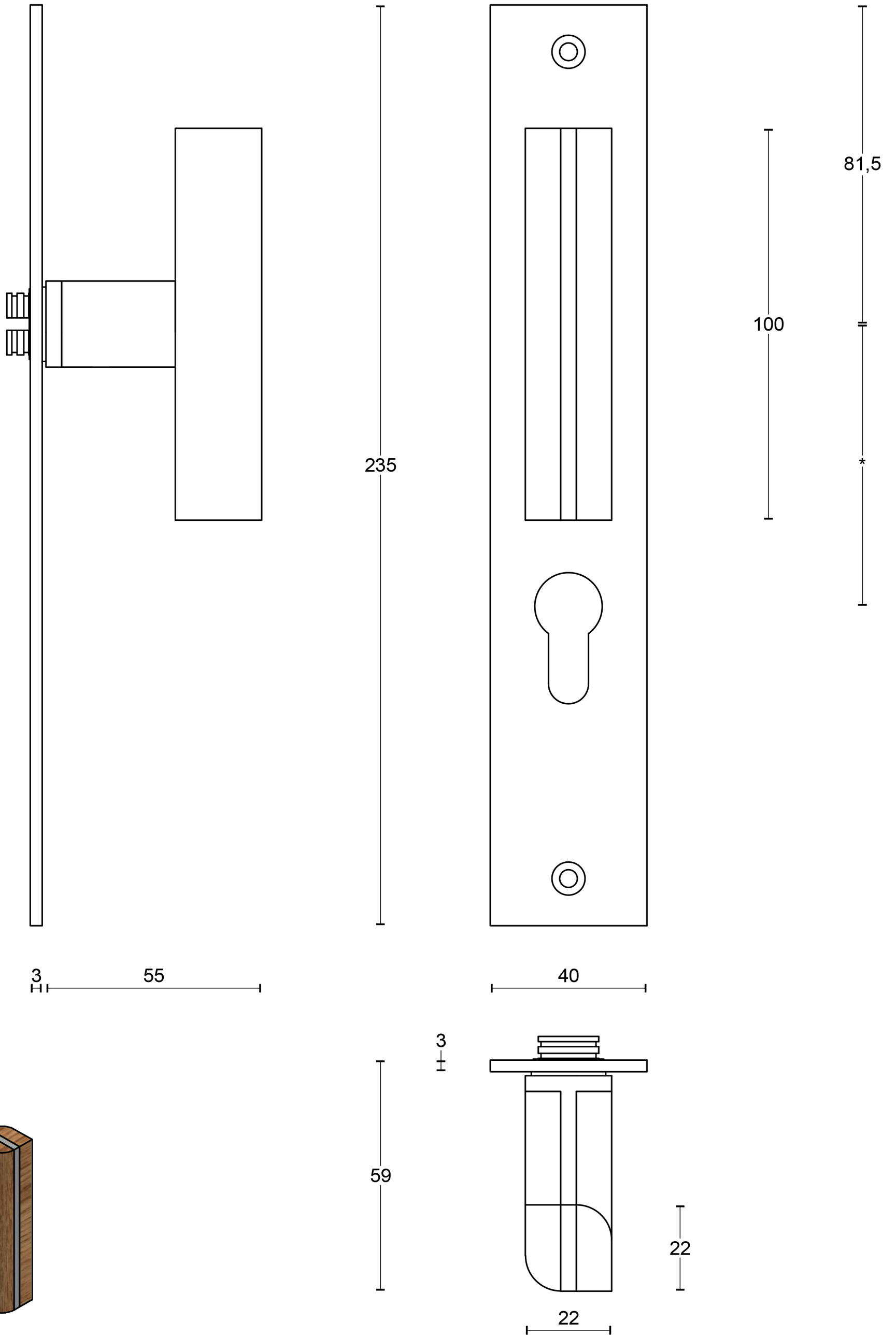
FORMANI®		Part number:	
Doc no.:	2701D020 PBT22P236SFC V02.dwg	Description:	Format:
Drawn by:	Christian Brimbois		Creation date:
		PBT22P236SFC	A3
Formani Holland B.V. Formani FROM TWO TEASE ARCHITECTURAL HARDWARE www.twotease.com.au info@twotease.com.au			

All information on the drawing is the property of Formani Holland B.V. and may not be copied, in any way whatsoever without obtaining the permission in writing from Formani Holland B.V.



FORMANI®		Part number:	
Doc no.: 2701D020 PBT22P236WC V01.dwg		PBT22P236WC	Format:
Drawn by: Christian	Creation date: 7-5-2012		A3
Formani Holland B.V.		FROM TWO TEASE ARCHITECTURAL HARDWARE www.twotease.com.au info@twotease.com.au	

All information on the drawing is the property of Formani Holland B.V. and may not be copied, in any way whatsoever without obtaining the permission in writing from Formani Holland B.V.



FORMANI®		Part number:	
Doc no.: 2701D020 PBT22P236Y V01.dwg		PBT22P236Y	Format:
Drawn by: Christian	Creation date: 7-5-2012		A3
Formani Holland B.V.		FROM TWO TEASE ARCHITECTURAL HARDWARE www.twotease.com.au info@twotease.com.au	