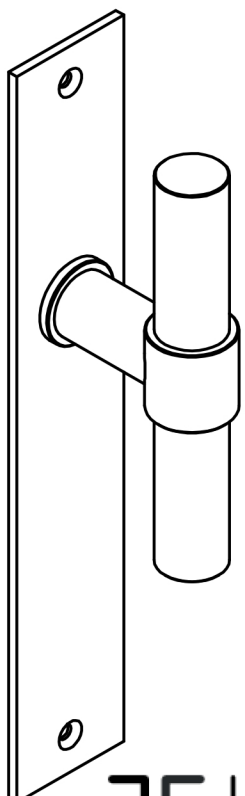
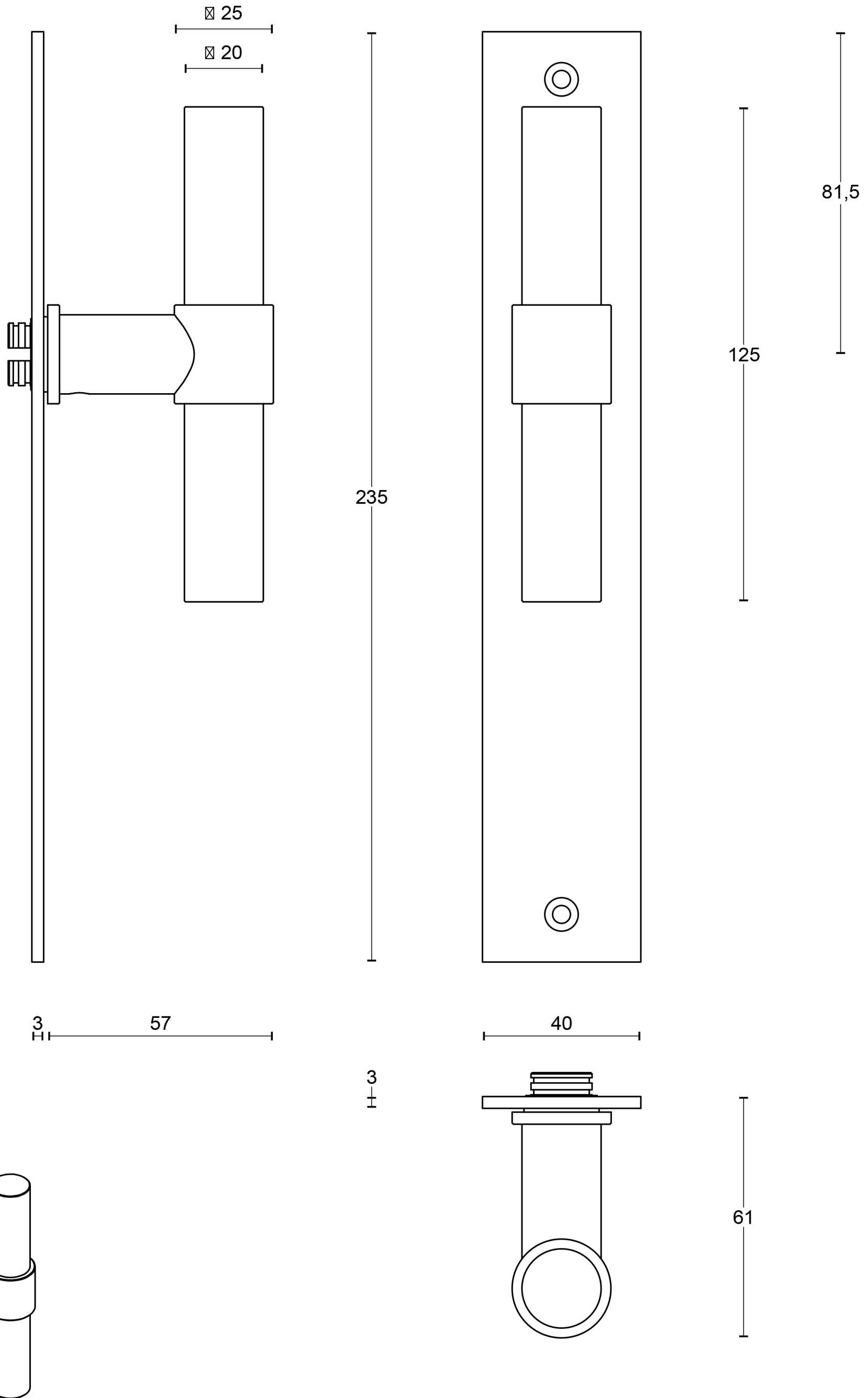
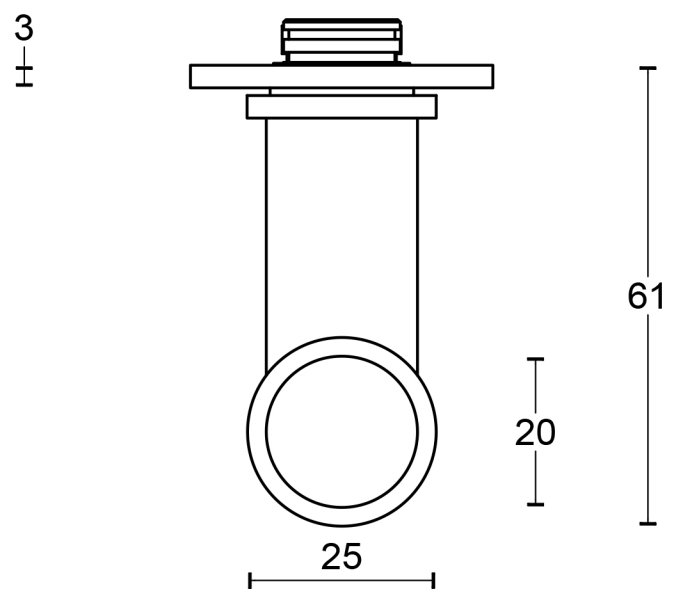
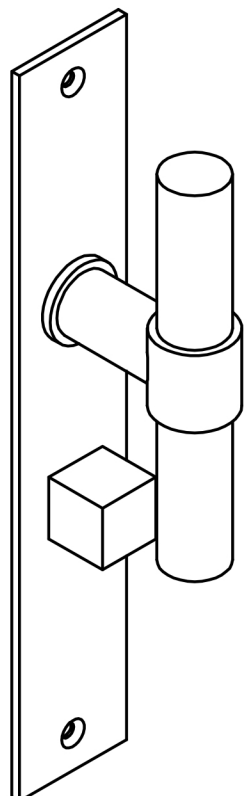
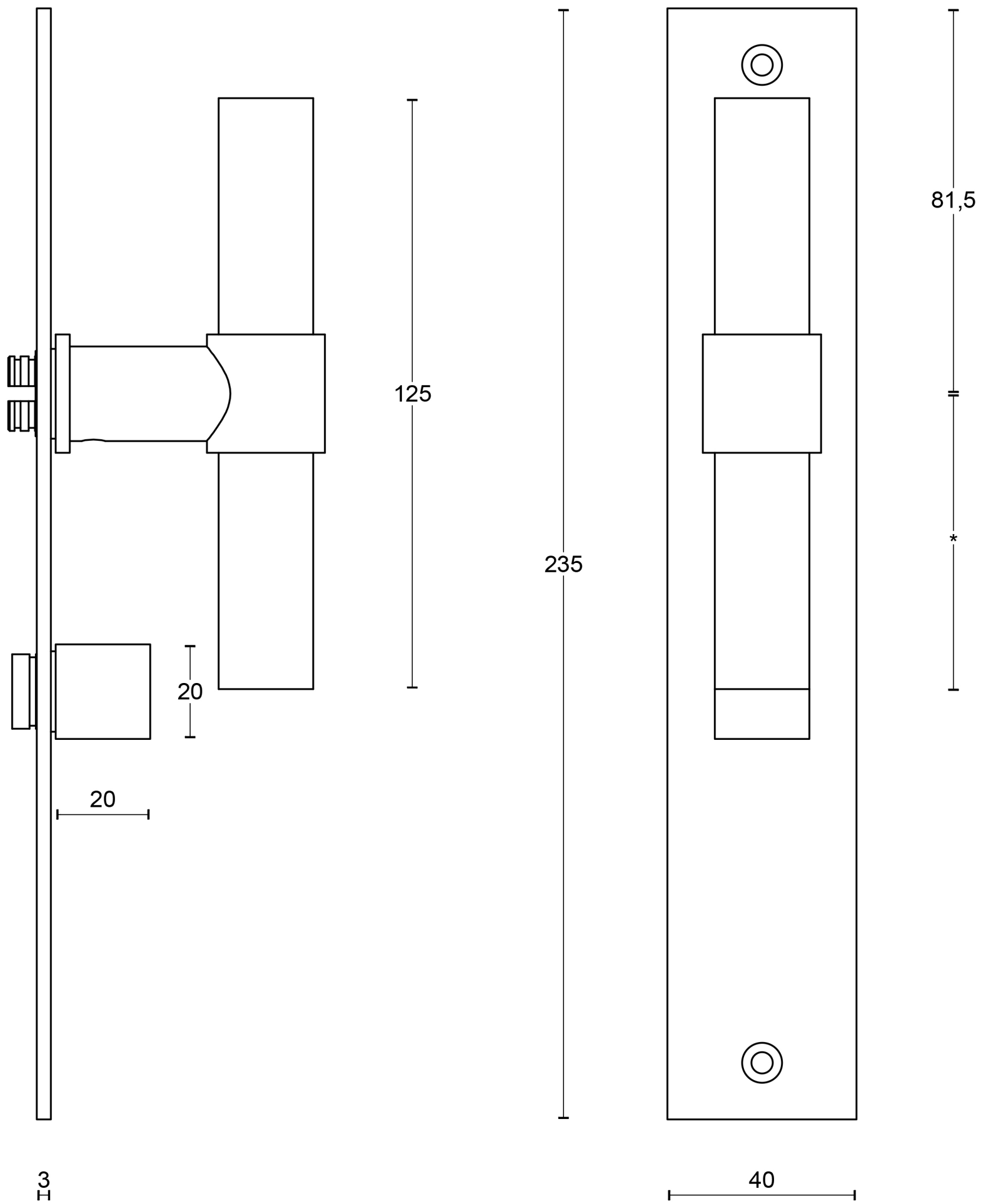


All information on the drawing is the property of Formani Holland B.V. and may not be copied, in any way whatsoever without obtaining the permission in writing from Formani Holland B.V.



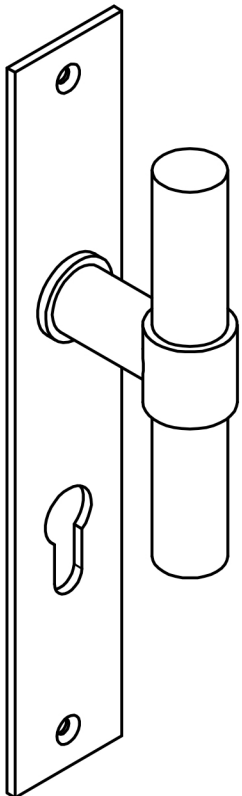
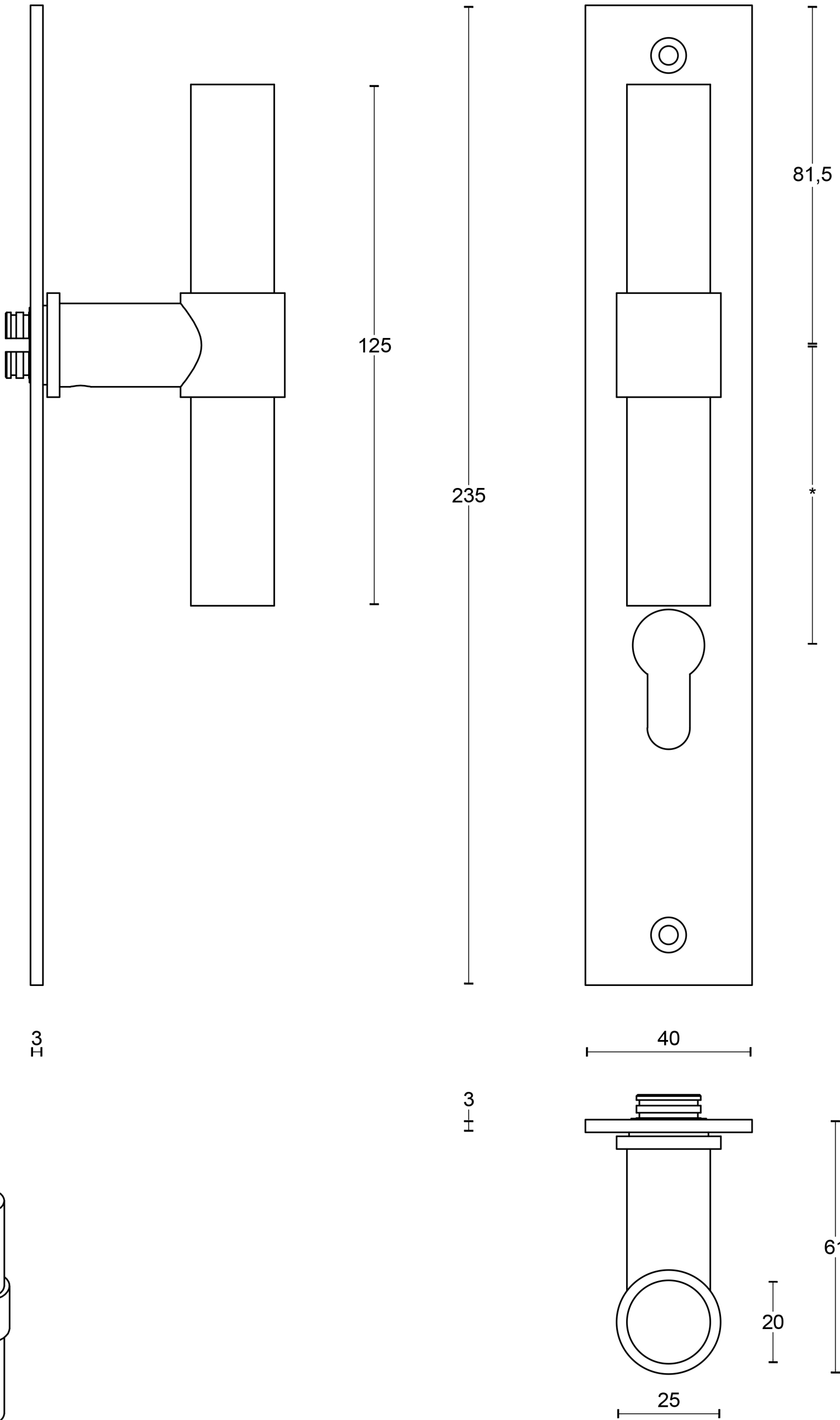
FORMANI®		Part number: 2701D003 PBT20XLP236SFC V01	
Doc no.: 2701D003 PBT20XLP236SFC V01.dwg		PBT20XLP236SFC	Format: A3
Drawn by: Christian	Creation date: 9-11-2011		
Formani Holland B.V.		FROM TWO TEASE ARCHITECTURAL HARDWARE	
		www.twotease.com.au info@twotease.com.au	

All information on the drawing is the property of Formani Holland B.V. and may not be copied, in any way whatsoever without obtaining the permission in writing from Formani Holland B.V.



FORMANI[®]		Part number:	
Doc no.: 2701D013 PBT20XLP236WC V01.dwg	Drawn by: Christian Brimbois	Description:	Format:
Creation date: 6-9-2017			A3
FORMANI HOLLAND B.V.	FROM TWO TEASE ARCHITECTURAL HARDWARE	www.twotease.com.au info@twotease.com.au	

All information on the drawing is the property of Formani Holland B.V. and may not be copied, in any way whatsoever without obtaining the permission in writing from Formani Holland B.V.



FORMANI®		Part number:	
Doc no.: 2701D013 PBT20XLP236Y V01.dwg		Description:	Format:
Drawn by: Christian Brimbois	Creation date: 6-9-2017		A3
FORMANI HOLLAND B.V.		FROM TWO TEASE ARCHITECTURAL HARDWARE	
www.twotease.com.au info@twotease.com.au			