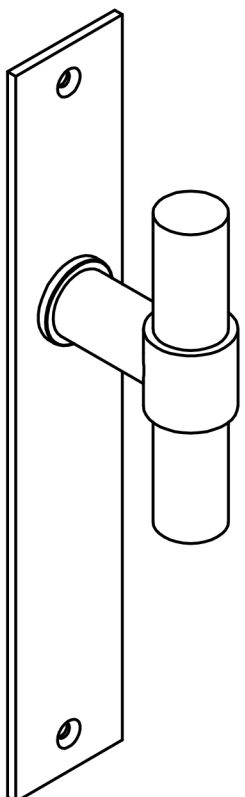
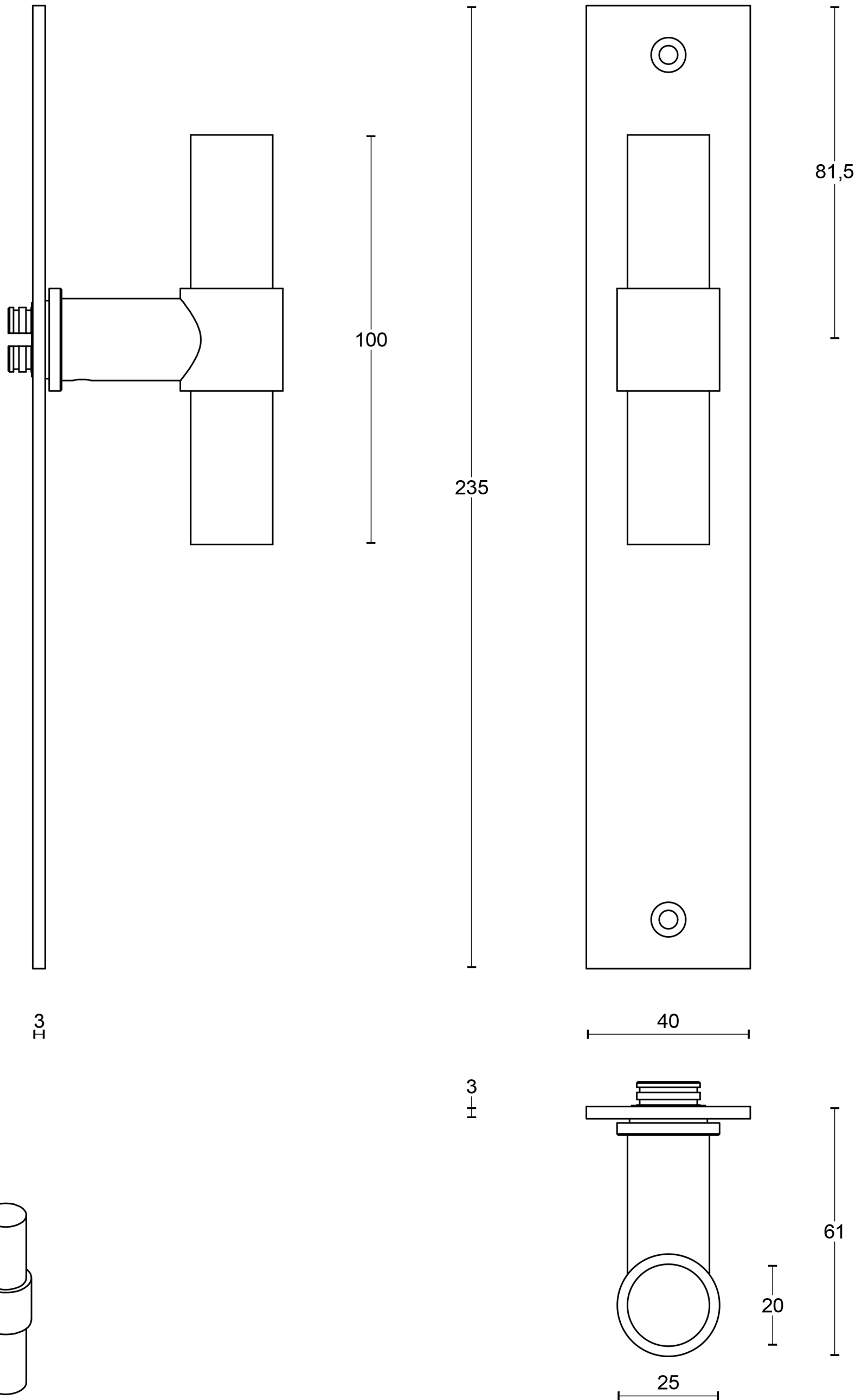
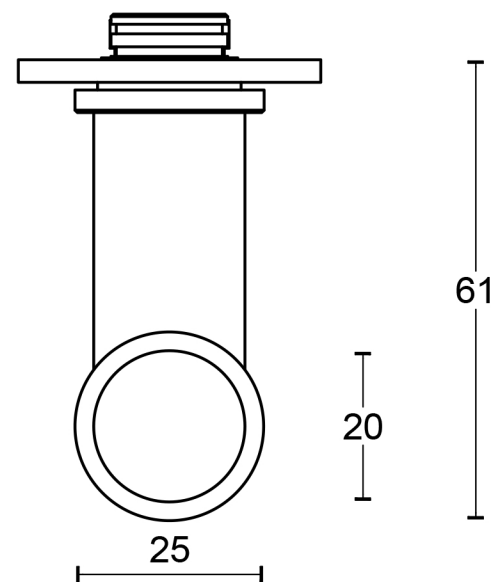
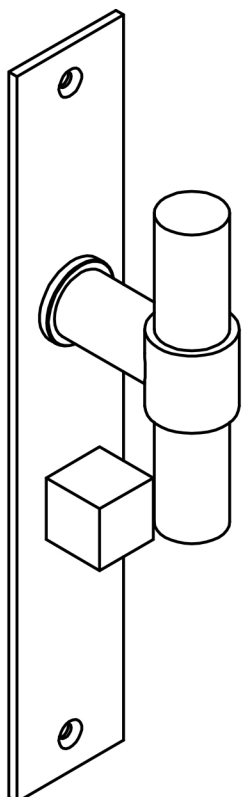
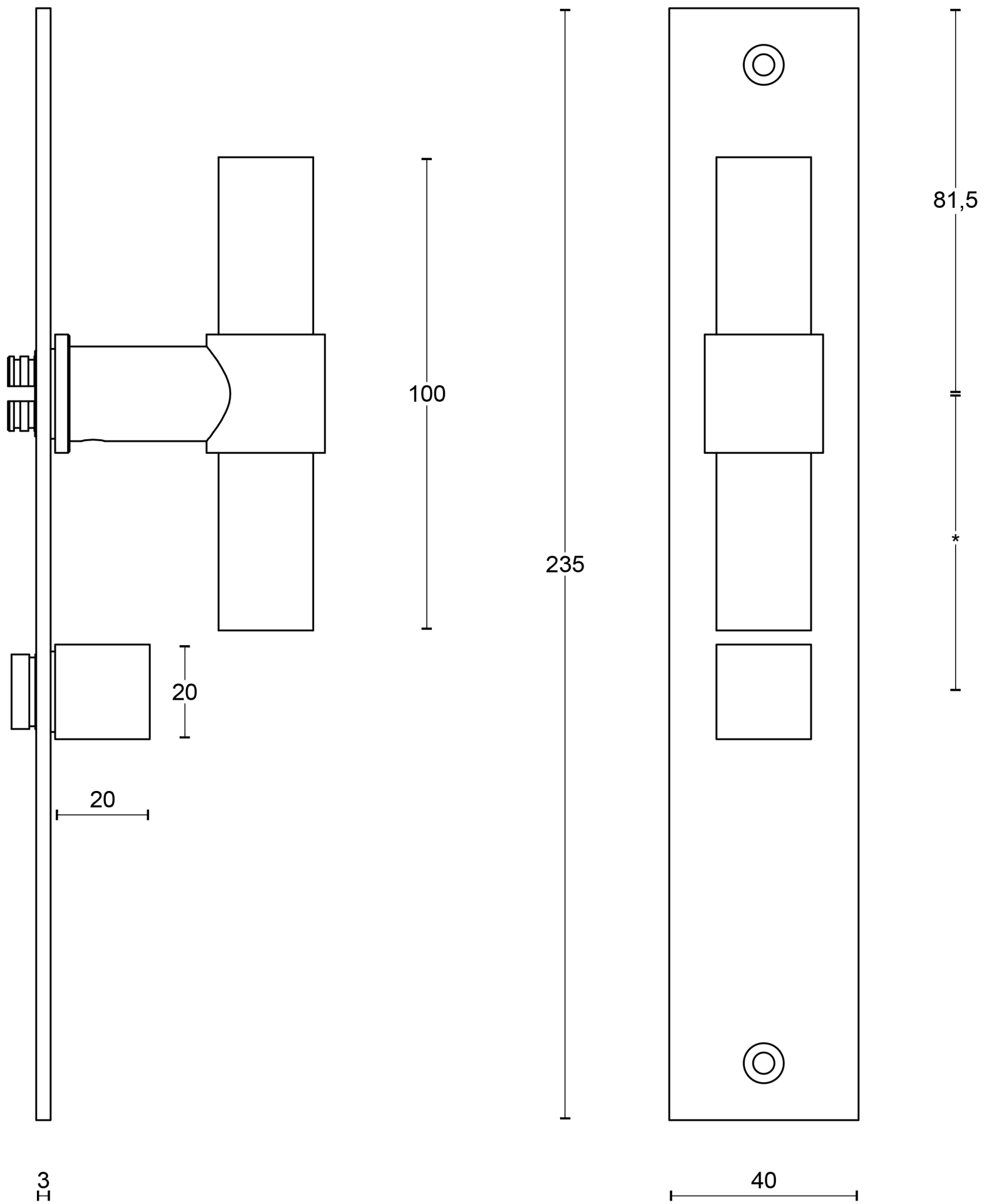


All information on the drawing is the property of Formani Holland B.V. and may not be copied, in any way whatsoever without obtaining the permission in writing from Formani Holland B.V.



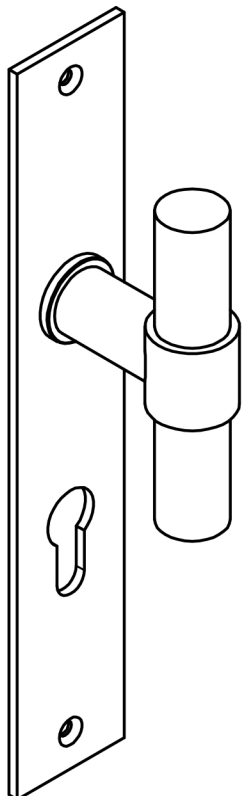
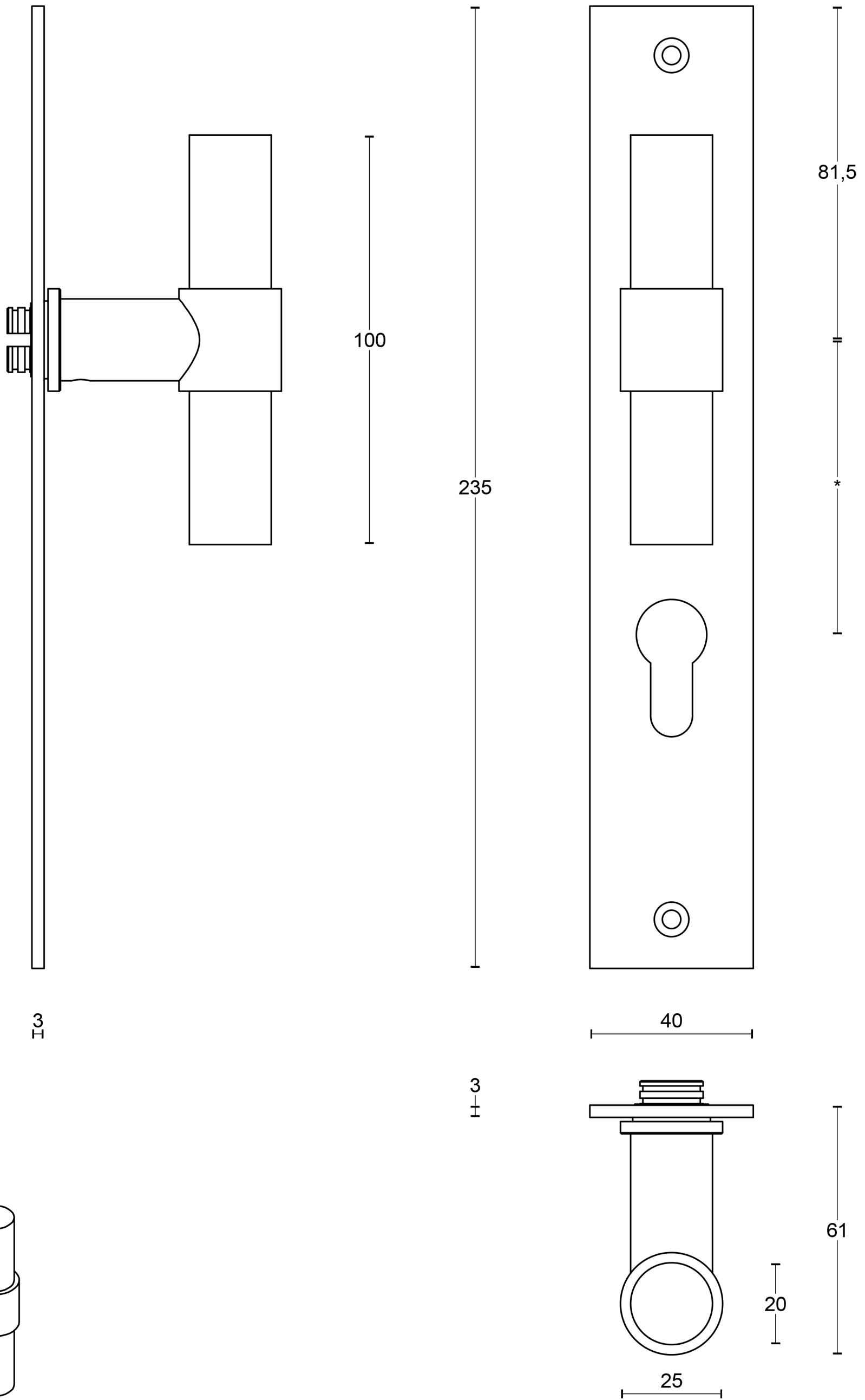
FORMANI®		Part number:	
Doc no.: 2701D003 PBT20P236SFC V02.dwg		Description:	Format:
Drawn by: Christian Brimbois	Creation date: 6-9-2017		A3
FORMANI HOLLAND B.V.		FROM TWO TEASE ARCHITECTURAL HARDWARE	
		www.twotease.com.au info@twotease.com.au	

All information on the drawing is the property of Formani Holland B.V. and may not be copied, in any way whatsoever without obtaining the permission in writing from Formani Holland B.V.



FORMANI®		Part number:	
Doc no.: 2701D003 PBT20P236WC V02.dwg		Description:	
Drawn by: Christian Brimbois	Creation date: 6-9-2017	Format:	
FORMANI HOLLAND B.V.		A3	
FROM TWO TEASE ARCHITECTURAL HARDWARE		www.twotease.com.au info@twotease.com.au	

All information on the drawing is the property of Formani Holland B.V. and may not be copied, in any way whatsoever without obtaining the permission in writing from Formani Holland B.V.



FORMANI®		Part number:	
Doc no.: 2701D003 PBT20P236Y V02.dwg		Description:	Format:
Drawn by: Christian Brimbois	Creation date: 6-9-2017		A3
FORMANI HOLLAND B.V.		FROM TWO TEASE ARCHITECTURAL HARDWARE	
www.twotease.com.au info@twotease.com.au			