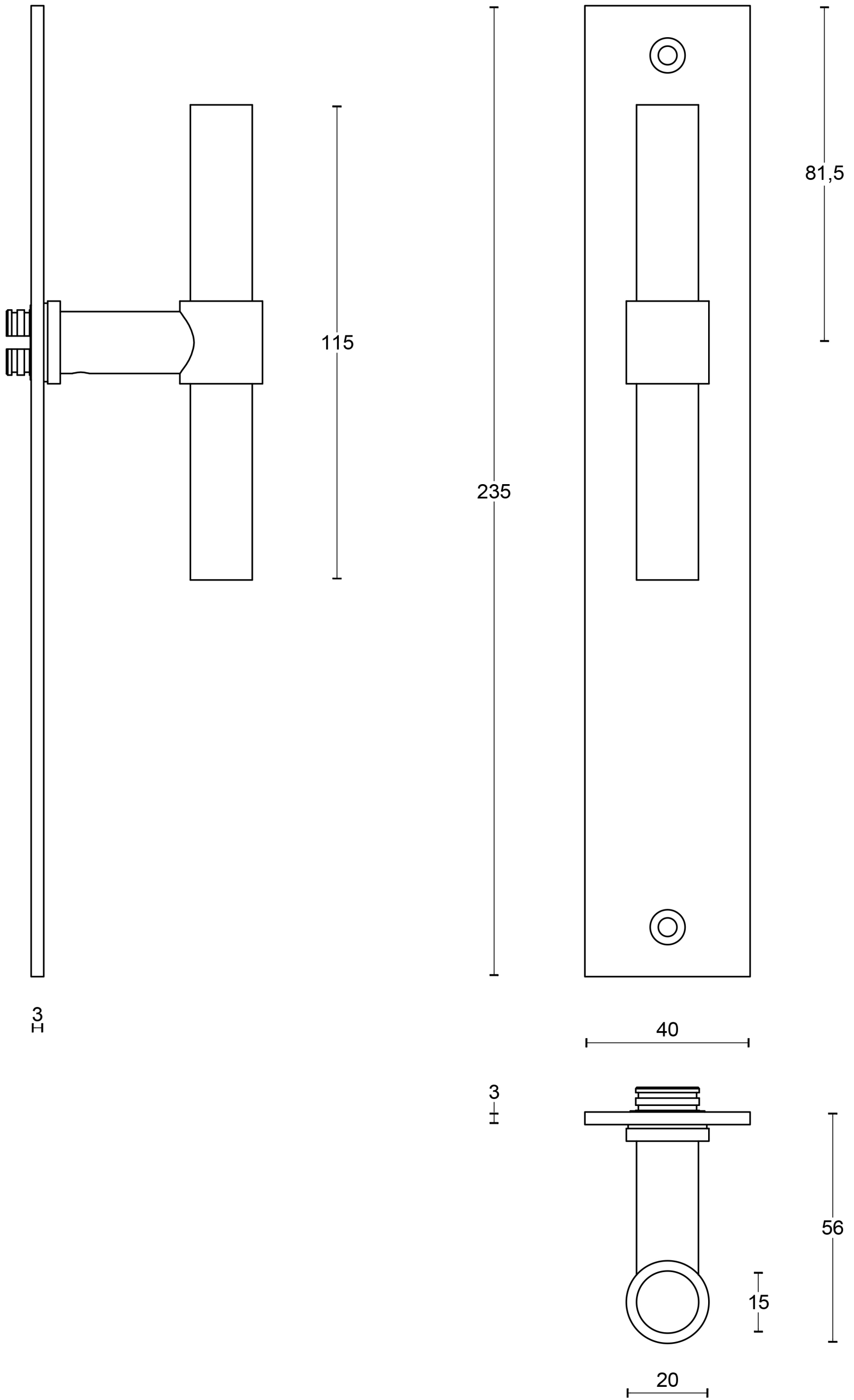
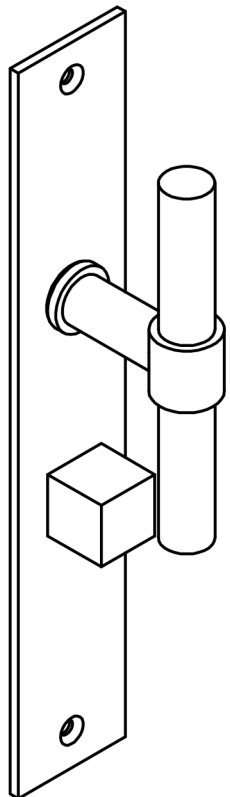
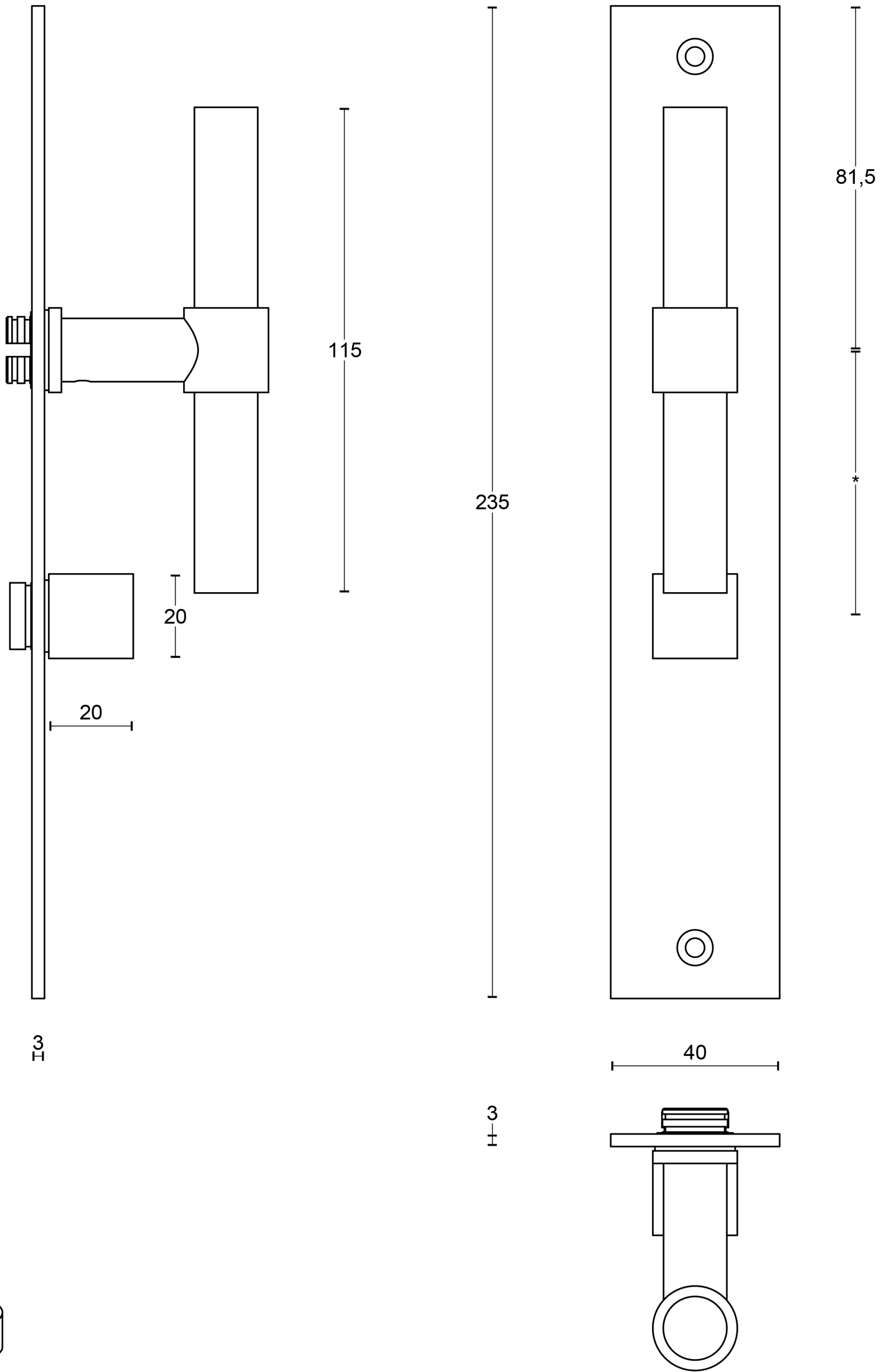


All information on the drawing is the property of Formani Holland B.V. and may not be copied, in any way whatsoever without obtaining the permission in writing from Formani Holland B.V.



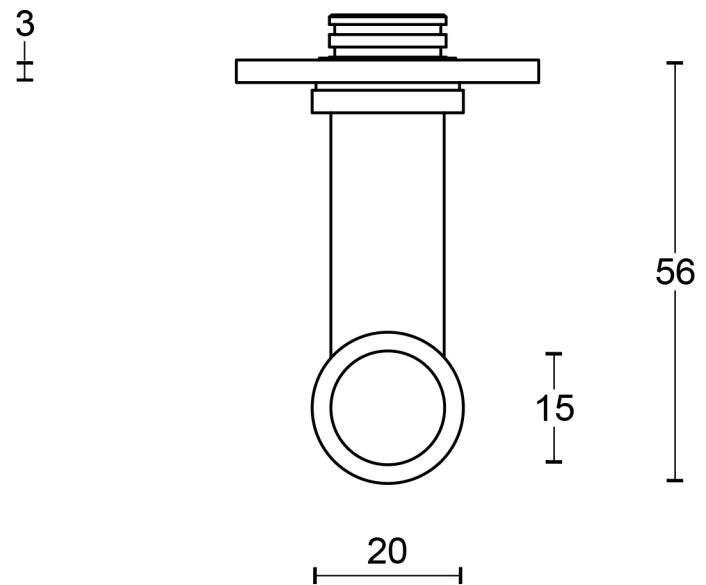
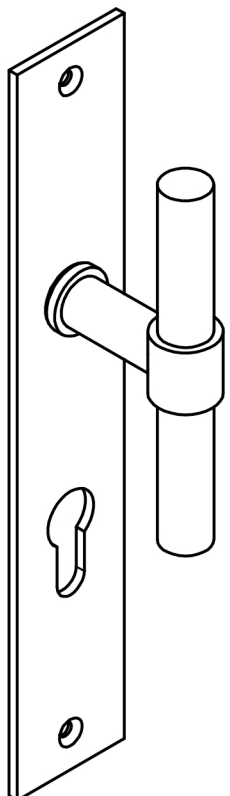
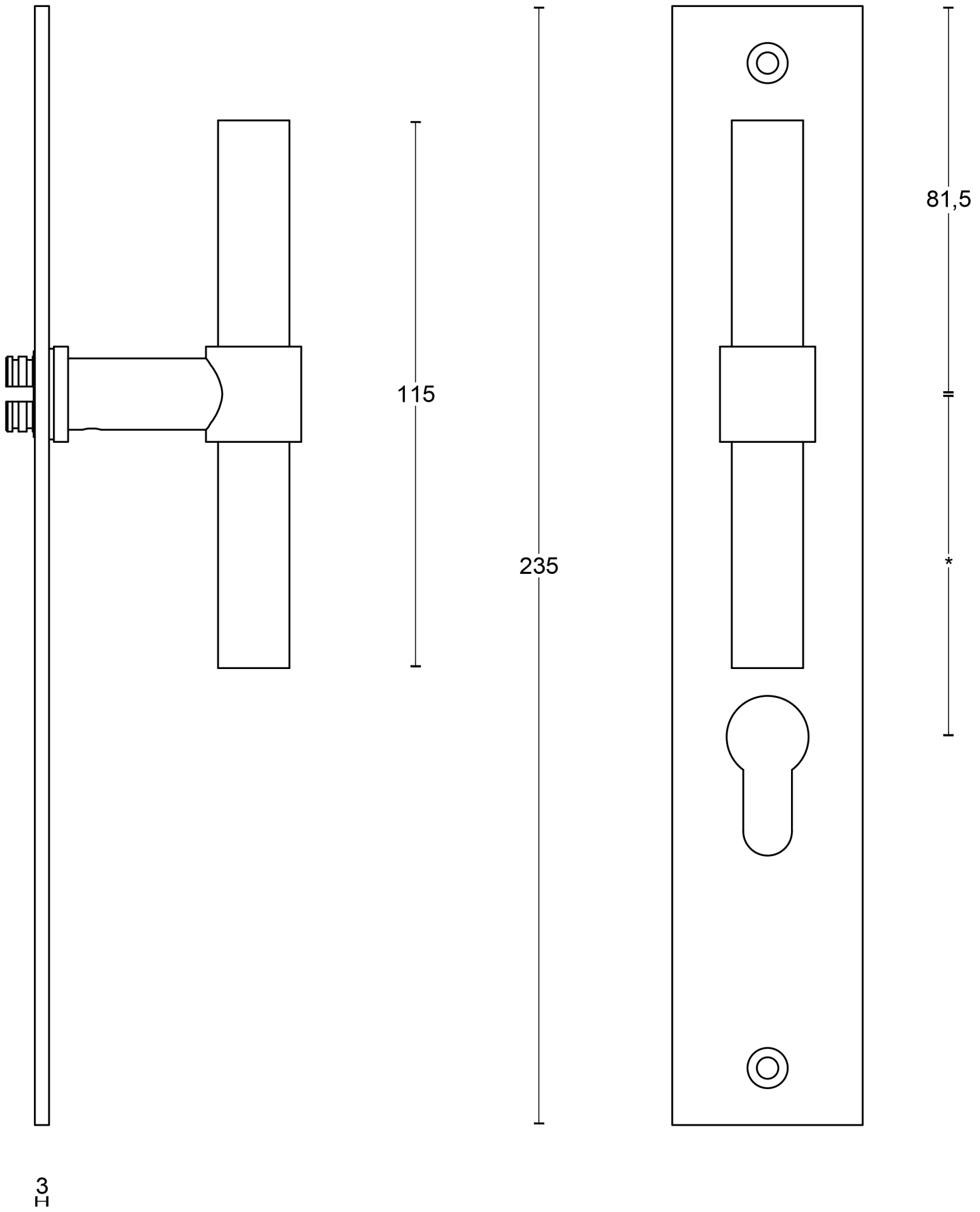
<h2>FORMANI®</h2>		Part number:	
		Description:	
Doc no.: 2701D011 PBT15XLP236SFC V01.dwg		A3	
Drawn by: Christian Brimbois	Creation date: 5-9-2017		
FORMANI HOLLAND B.V.		FROM TWO TEASE ARCHITECTURAL HARDWARE	
		www.twotease.com.au info@twotease.com.au	

All information on the drawing is the property of Formani Holland B.V. and may not be copied, in any way whatsoever without obtaining the permission in writing from Formani Holland B.V.



FORMANI[®]		Part number:	
Doc no.: 2701D011 PBT15XLP236WC V01.dwg		Description:	Format:
Drawn by: Christian Brimbois	Creation date: 5-9-2017		A3
FORMANI HOLLAND B.V.		FROM TWO TEASE ARCHITECTURAL HARDWARE	
www.twotease.com.au info@twotease.com.au			

All information on the drawing is the property of Formani Holland B.V. and may not be copied, in any way whatsoever without obtaining the permission in writing from Formani Holland B.V.



FORMANI®		Part number:	
		Description:	
Doc no.: 2701D011 PBT15XLP236Y V01.dwg		Format: A3	
Drawn by: Christian Brimbois	Creation date: 5-9-2017		
FORMANI HOLLAND B.V.		FROM TWO TEASE ARCHITECTURAL HARDWARE	
		www.twotease.com.au info@twotease.com.au	