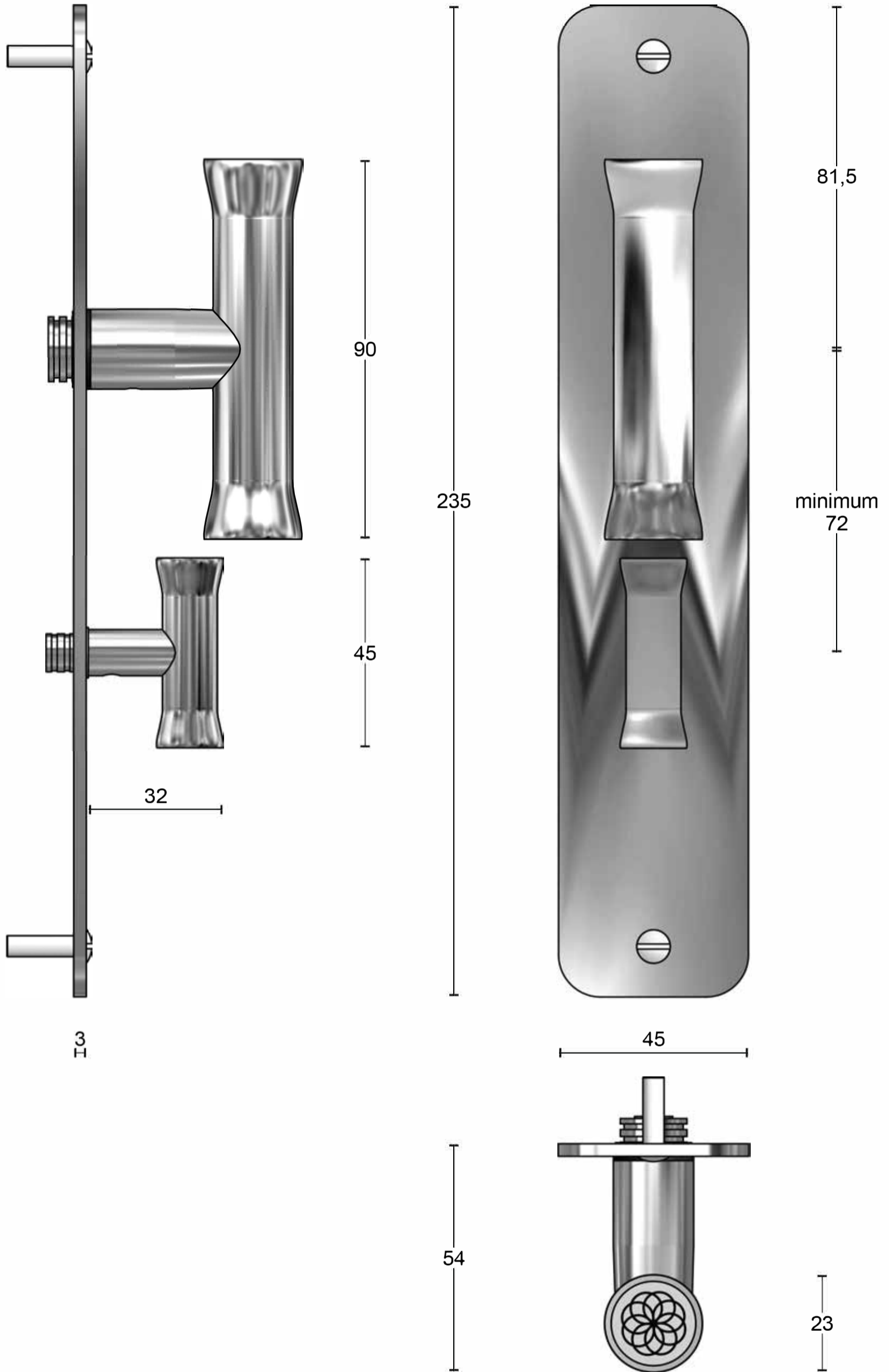


All information on the drawing is the property of Formani Holland B.V. and may not be copied, in any way whatsoever without obtaining the permission in writing from Formani Holland B.V.



<h2>FORMANI®</h2>		Part number:	
		Description:	
Doc no.: 3101D003IPXX0W EV102P211WC IP V03.dwg		EV102P211WC** IP	
Drawn by: Christian Brimbois	Creation date: 20-2-2014	Format:	
Formani Holland B.V. * Formani FROM TWO TEASE ARCHITECTURAL HARDWARE		A3	
www.twotease.com.au info@twotease.com.au			

All information on the drawing is the property of Formani Holland B.V. and may not be copied, in any way whatsoever without obtaining the permission in writing from Formani Holland B.V.



I3



90

235



81,5

45



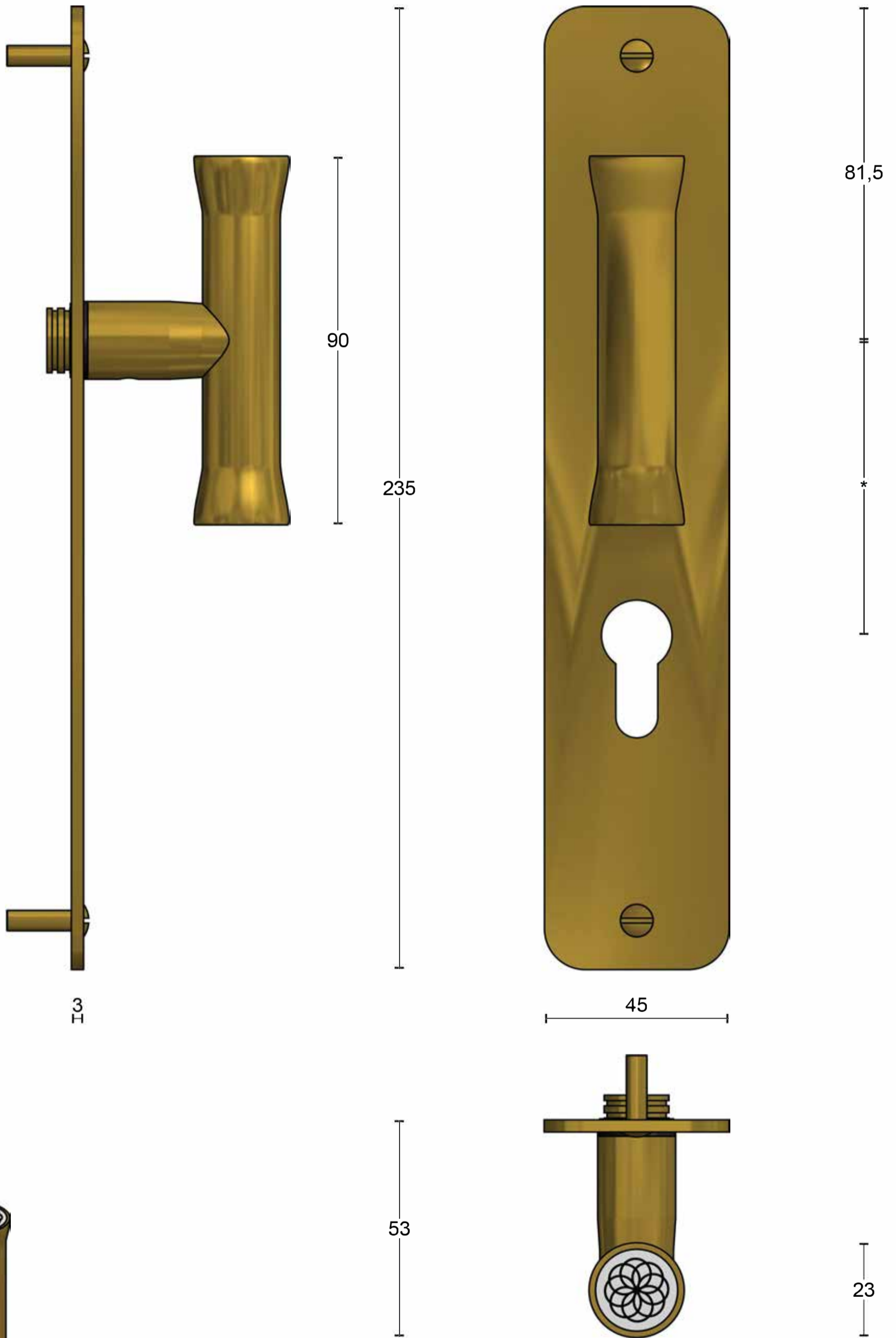
54



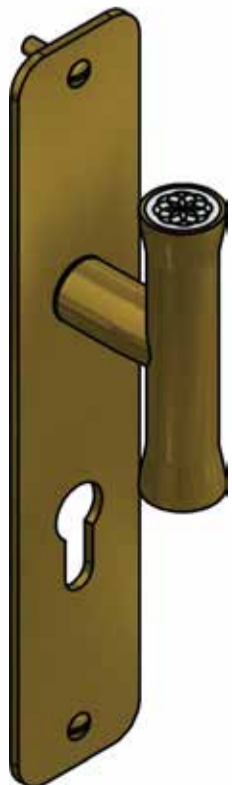
23

<h2>FORMANI®</h2>		Part number:	
		Description:	
Doc no.: 3101D003NMXX0F EV102P211SFC NM V03.dwg		EV102P211SFC NM	
Drawn by: Christian Brimbois	Creation date: 20-2-2014	Format:	
Formani Holland B.V. * Formani FROM TWO TEASE ARCHITECTURAL HARDWARE		A3	
www.twotease.com.au info@twotease.com.au			

All information on the drawing is the property of Formani Holland B.V. and may not be copied, in any way whatsoever without obtaining the permission in writing from Formani Holland B.V.



13



<h2>FORMANI®</h2>		Part number:	
		Description:	
Doc no.: 3101D003IMXX0Y EV102P211Y IM V03.dwg		EV102P211N** IM	
Drawn by: Christian Brimbois	Creation date: 20-2-2014		
Formani Holland B.V.		A3	
Formani FROM TWO TEASE ARCHITECTURAL HARDWARE		www.twotease.com.au info@twotease.com.au	